













Subject to technical changes for reasons of further development

Bestell.-Nr. :

State: 10/2013

Contents	Chapter
<b>General</b> .....	<b>1</b>
 Important hints .....	1.1.0
 Warning notes .....	1.2.0
<b>System components</b> .....	<b>2</b>
(before each repair read chapter 1 as well)	
 Handle .....	2.1.0
 Top cover .....	2.2.0
 Hook/ Cover for hook .....	2.3.0
 Seat covers .....	2.4.0
 Handpole connector .....	2.5.0
 Hip restraint armrest .....	2.6.0
 Complete tip-up armrest .....	2.7.0
 Tip-up armrest/ Cover armrest .....	2.8.0

**Important informations to the repair manual**

- The descriptions in chapter 2 explains the removal of sundry components.  
The installation of these seat components generally happens in reserve sequence.
- Due to safety reasons, pay attention to the correct positioning and to the observance of the tightening torques of the fixing screws when exchange component parts.
- All parts of the spare part kit must be exchanged. Do not use the old mounting parts again.

 **WARNING**

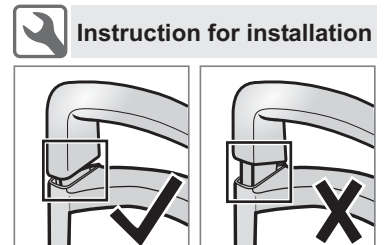
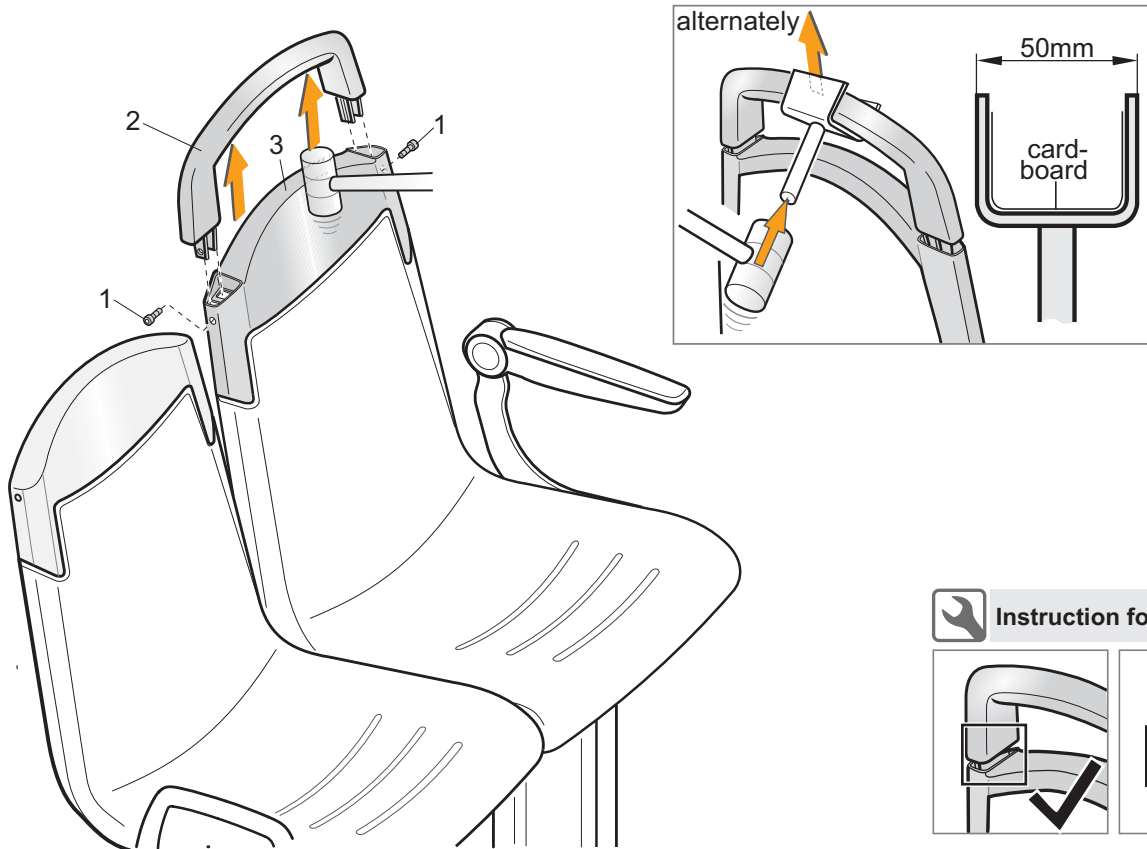
**Before repair, read the warning notes in chapter 1.  
Please read accessorially the operation instruction of the seat, to become familiar with its technical features.**

**If you don't consider the following instruction, the liability, warranty and possibly the general operating permit will be lost.  
Breaking these rules could cause serious or fatal injury to yourself and others:**



- The seat has to be installed or repaired only by workshop specialists.  
In doing so the regulations of the relevant countries have to be observed.
- When the seat will be mounted in the vehicle, the guidelines of the manufacturer have to be considered.
- Do not use a damaged or faulty seat.
- Defective parts have to be repaired or exchanged immediately.
- Changings on the seat are inadmissible.
- Only original spare parts have to be used.
- Seat anchorages has to be checked frequently.
- It is not allowed to weld broken steel parts.

 **HINTS FOR CLEANING**

- For cleaning the seat, use only an slightly dampened cloth without strong solvents.
- The upholstery cover shall not be soaked

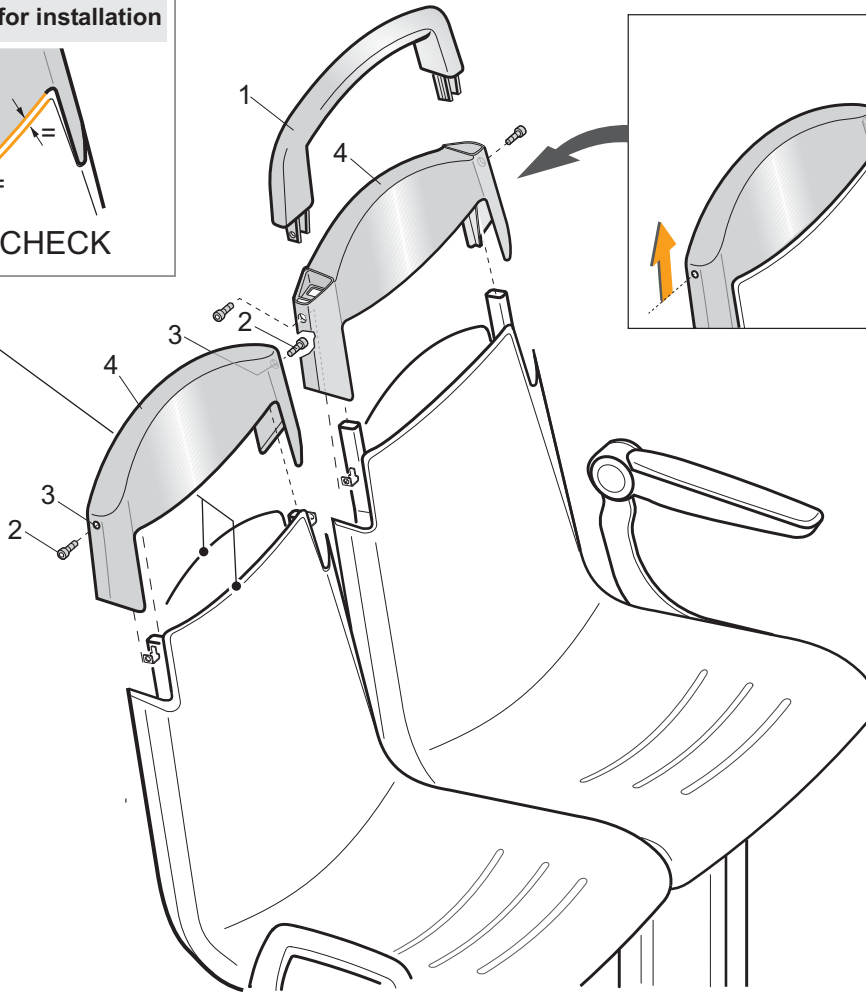
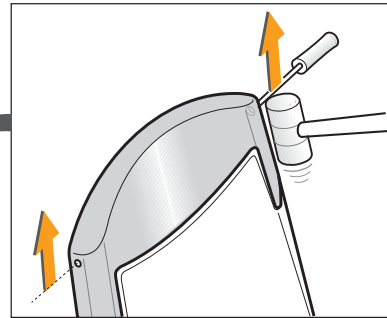
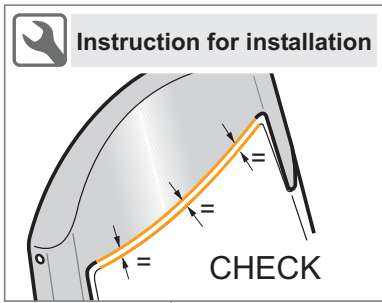


**Handle**

	Pos.	Tool	Torque		Repair time
	1	● 3	6Nm +/-1Nm		3 min

- Remove handle pole connector (2.5.0).
- Undo two screws (1).
- Drive out handle (2) carefully from top cover (3) by using a rubber hammer alternately at left and right side from below. Alternatively a 50mm width U-profile (can not be ordered) can be used. In this case hit from the middle position.

 To avoid damages lay a cardboard between hammer and handle.

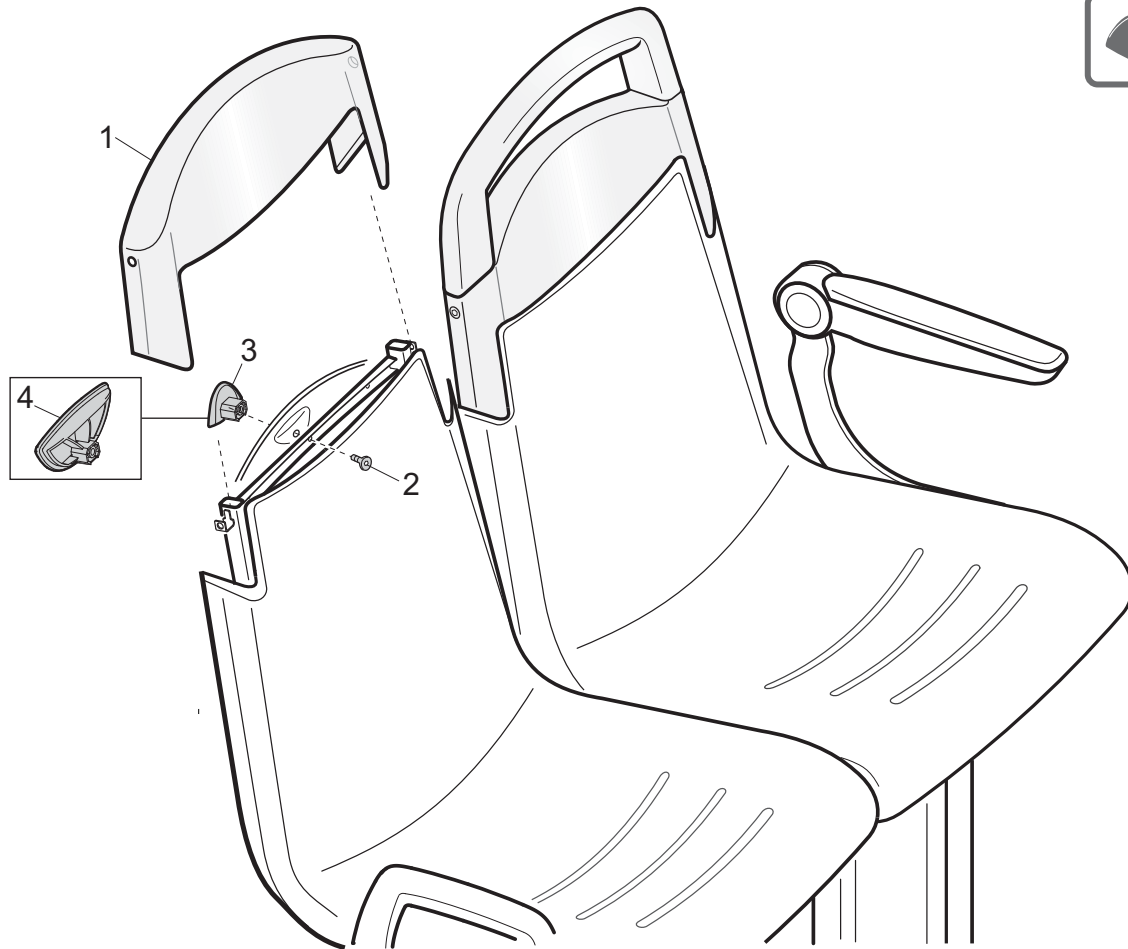


**Top cover**

- Remove handle (1) when mounted (2.1.0).
- Undo two screws (2).
- Put a screwdriver alternately in holes (3) and hit against with a hammer till cover (4) is loosen from seat.

Pos.	Tool	Torque
2	● 3	6Nm +/-1Nm


Repair time
2 min with handle 5 min.



**Hook / Cover for hook**

- Remove cover (1) (2.1.0) (2.2.0).
- Undo screw (2) and take off hook (3) respectively cover (4).

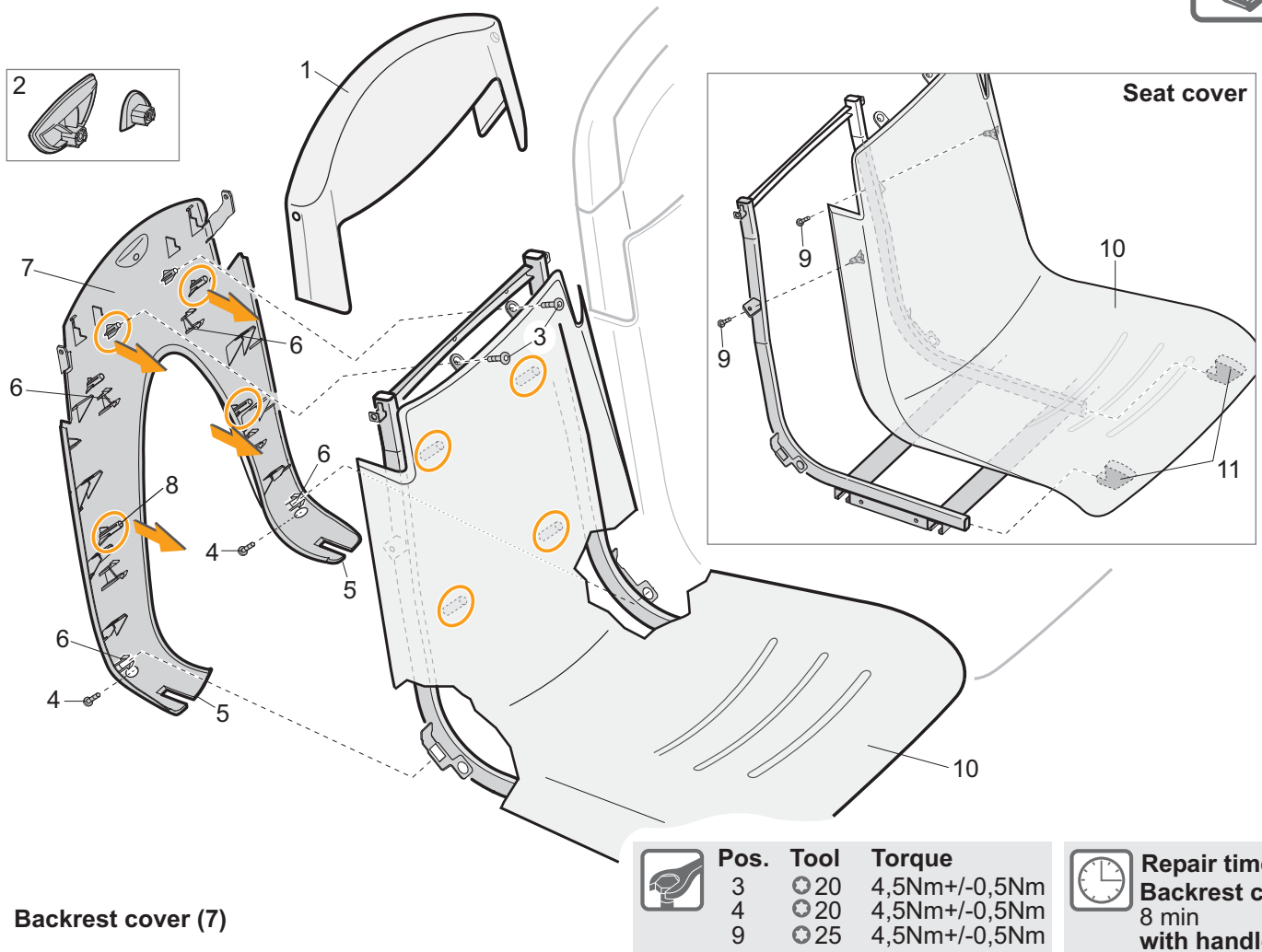


Pos.	Tool	Torque
2	 25	4,5Nm +/-0,5Nm




**Repair time**  
3 min  
**with handle**  
6 min.







**Backrest cover (7)**

- Remove handle and top cover (1) (2.1.0, 2.2.0).
- Demount hook or hook cover (2) (2.3.0).
- Loosen two screws (3) and two screws (4).
- Push a screwdriver under edges (5) and unhook snap taps (6) carefully to loosen the backrest cover (7).
- Lift up backrest cover completely.

	Pos.	Tool	Torque
	3	⊕20	4,5Nm+/-0,5Nm
	4	⊕20	4,5Nm+/-0,5Nm
	9	⊕25	4,5Nm+/-0,5Nm

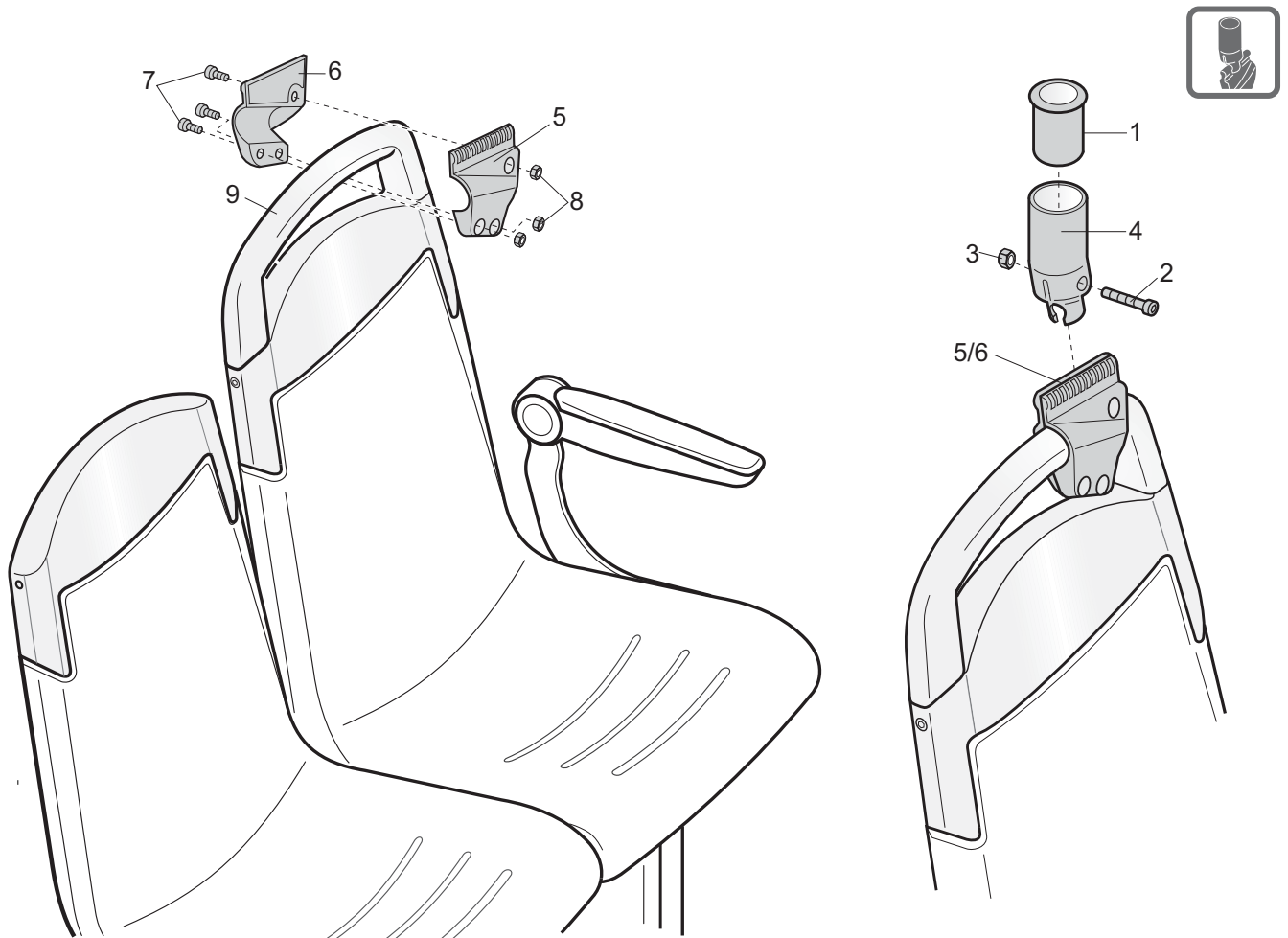
	Repair time
	<b>Backrest cover</b> 8 min <b>with handle</b> 11 min.
	<b>Seat cover</b> 9 min <b>with handle</b> 12 min.

 **Instruction for installation**

Move backrest cover at first with four pins (8) to the seat cover, fixing cover with screws (3) (not fasten) than press and hook it carefully on the left and on the right side till the cover engages.



**Seat cover (10)**

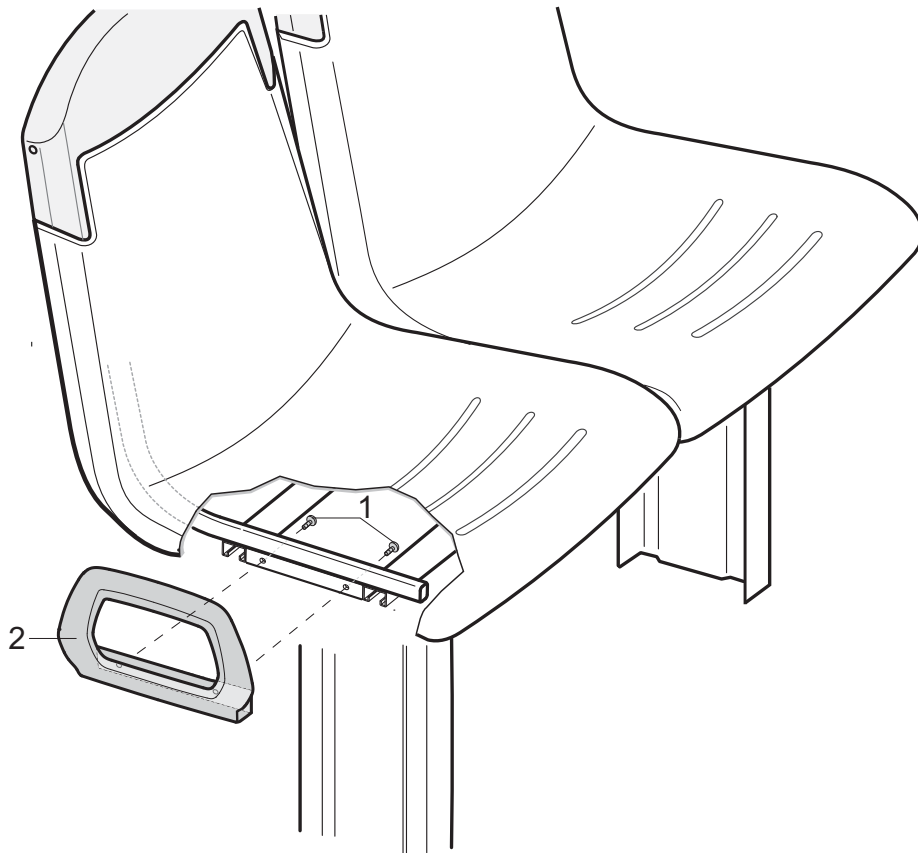
- Loosen backrest cover (see above).
- Unscrew two screws (9).
- Push two hooks (11) of seat cover (10) out of seat frame.



## Handpole connector

- Pull out cylinder (1).
- Undo screw (2) and take off nut (3).
- Loosen handpole connector (4) by moving sideways from bracket (5/6).
- Loosen three screws (7) respectively three nuts (8).
- Take off handpole connector parts (5) and (6) from handle (9).

	Pos.	Tool	Torque	 Repair time
	2	● 6	7Nm+/-2Nm	4 min
	7	● 8	25Nm+/-3Nm	

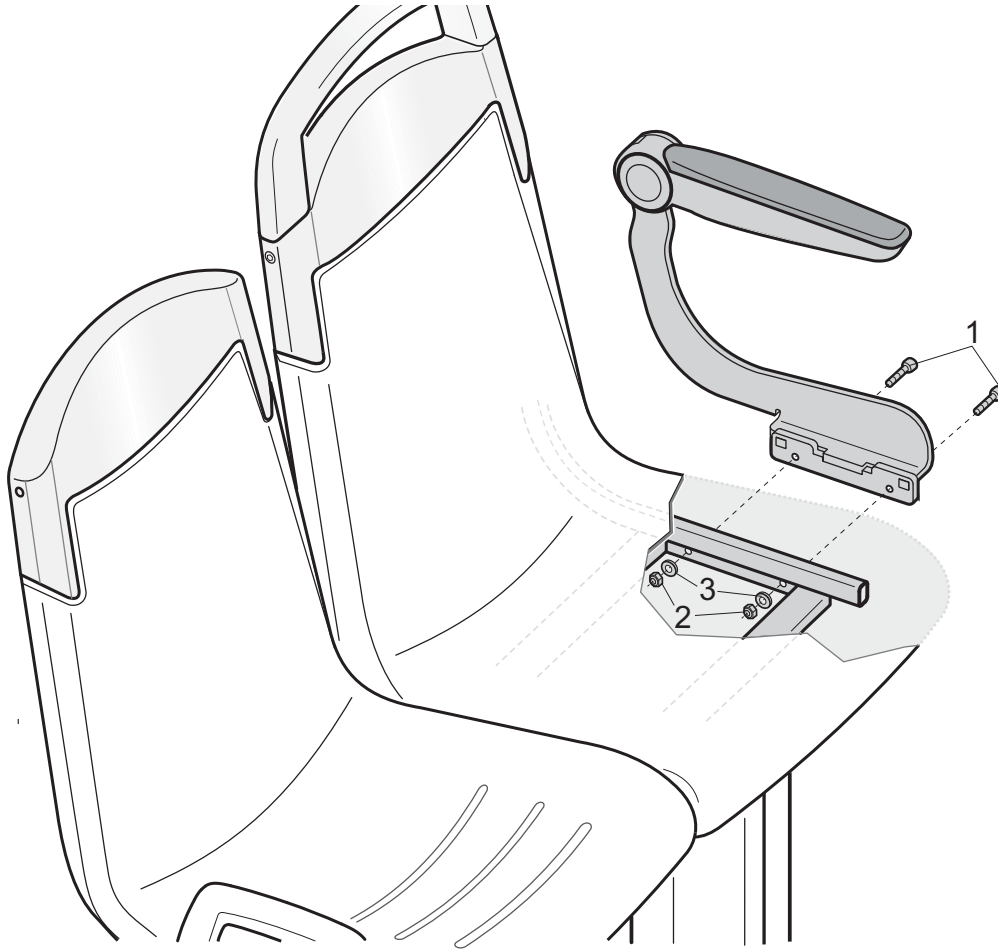
**Hip restraint armrest**

Pos.	Tool	Torque
1	○ 10	15Nm+/-5Nm




Repair time
2 min

- Loosen two screws (1) and take off hip restraint armrest (2).

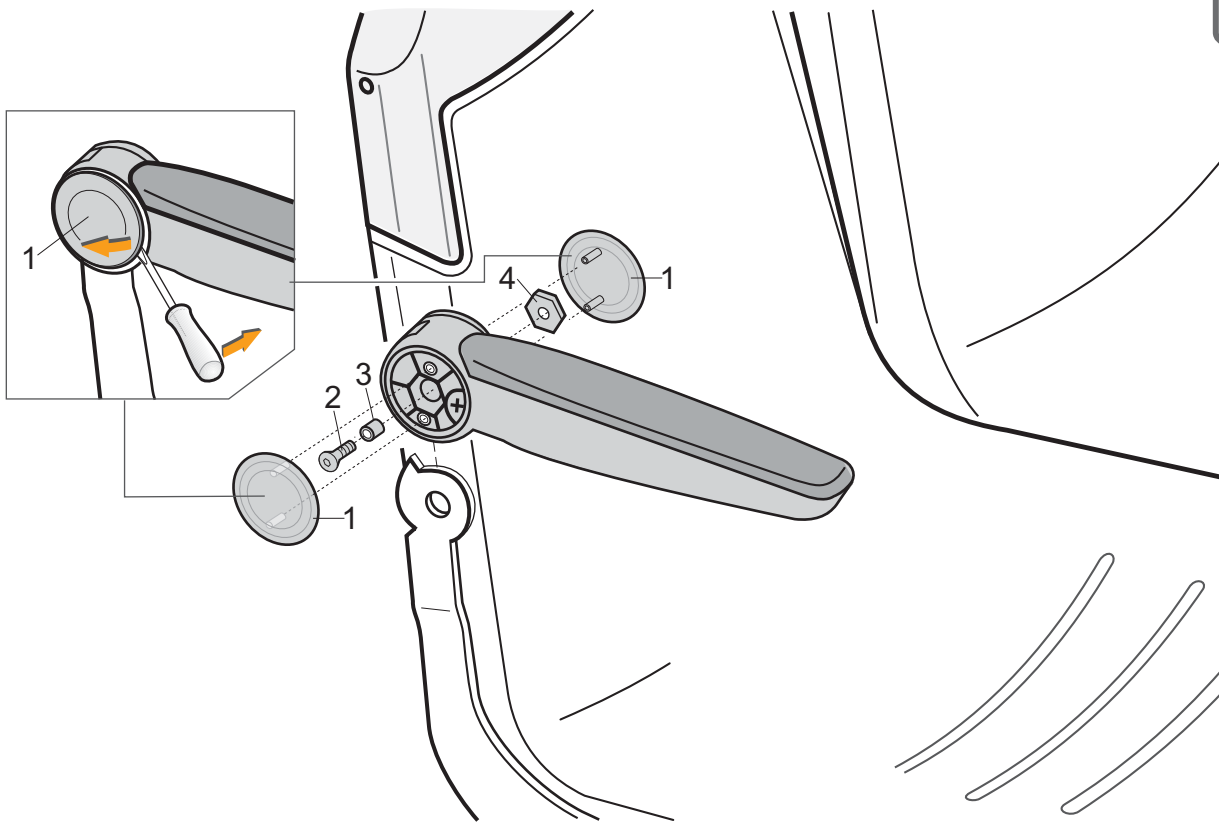


**Tip-up armrest**

	Pos.	Tool	Torque
	1	● 5	15Nm+/-3Nm
	2	○ 10	15Nm+/-3Nm



	Repair time
	4 min

- Loosen two screws (1), two nuts (2) and two washers (3) and take off armrest.



**Tip-up armrest**

- Lever out plastic covers (1) by short screwdriver.
- Undo screw (2) and take off bushing (3) and nut (4).
- Lift up armrest.

	Pos.	Tool	Torque	 Repair time
	2	● 5	23Nm+/-2Nm	3 min

**DEUTSCHLAND**  
**ISRINGHAUSEN GmbH & Co. KG**  
ISRINGHAUSEN-Ring 58  
32657 Lemgo  
Tel. +49 (0) 5261 / 210-0  
Fax. +49 (0) 5261 / 210-310  
e-mail. [info@isri.de](mailto:info@isri.de)  
<http://www.isri.de>

**SPAIN**  
**ISRINGHAUSEN SPAIN S.L.U.**  
Pol. Industrial Landaben C/L  
31012 Pamplona - Navarra - SPAIN  
Tel. +34 948 286 030  
Fax. +34 948 187 207  
e-mail. [info@es.isri.de](mailto:info@es.isri.de)  
<http://www.isri.de>